

VF -12 VERTICAL TOWER SCRUBBER

95 SCFM
 TOWER - FIBERGLASS (FRP) CONSTRUCTION
 PIPING - SCHEDULE 80 STAINLESS STEEL WELDED SOCKET CONSTRUCTION WHERE APPLICABLE
 DUCTING INLET TO BLOWER - SCHEDULE 40 CPVC CONSTRUCTION
 DUCTING OUTLET FROM BLOWER - SCH 10, 316 STAINLESS STEEL CONSTRUCTION
 DIFFERENTIAL PLUMBING 316 STAINLESS STEEL
 BLOWER - 316 STAINLESS STEEL

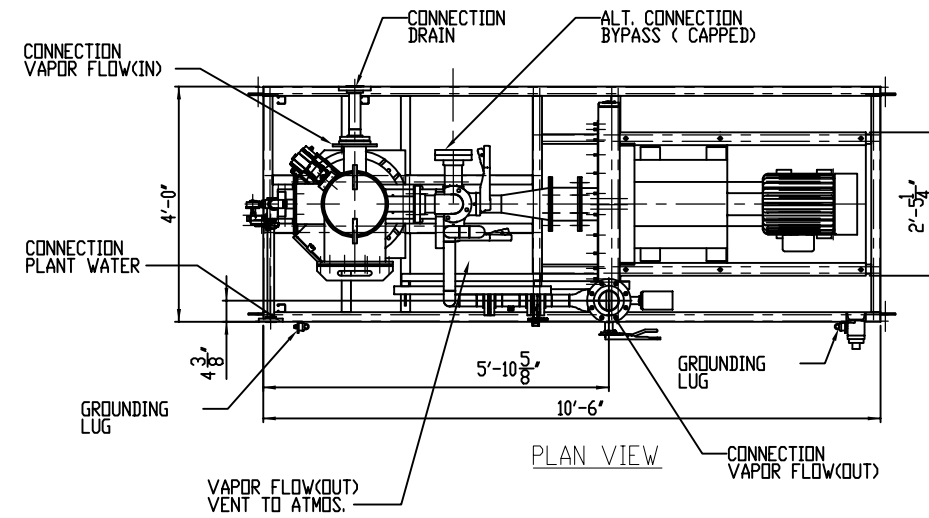
EMPTY WEIGHT OF SKID PACKAGE - 3000 LBS
 OPERATIONAL WEIGHT OF SKID PACKAGE - 3300 LBS

ALL CONNECTIONS MUST
 BE SUPPORTED INDEPENDENTLY

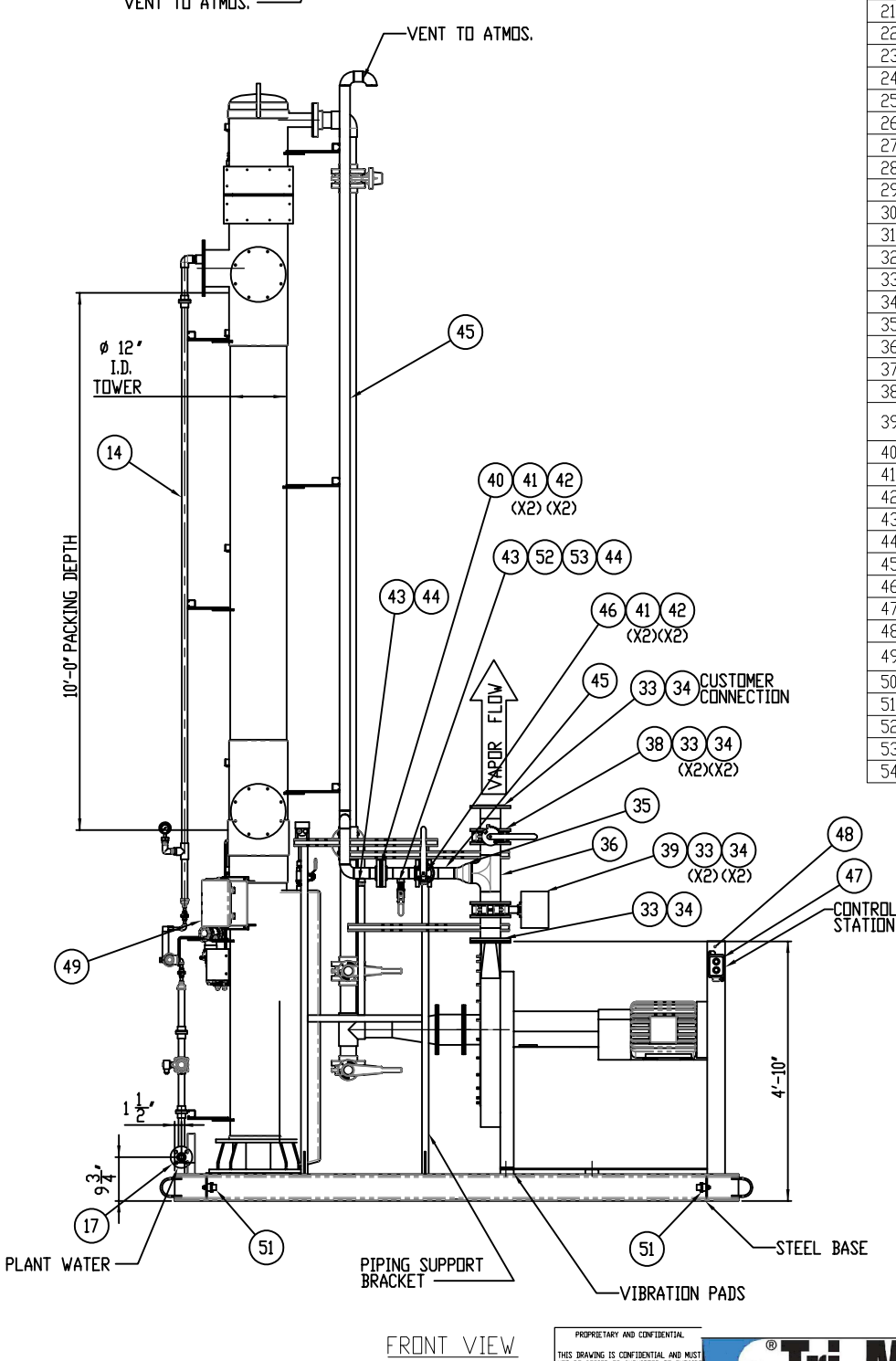
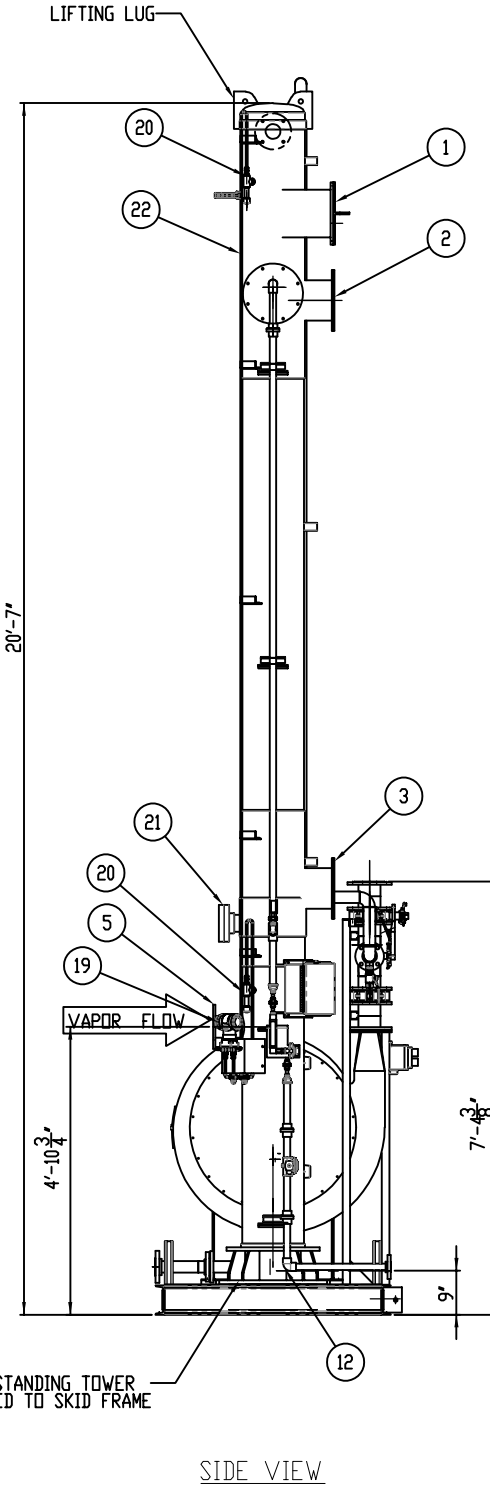
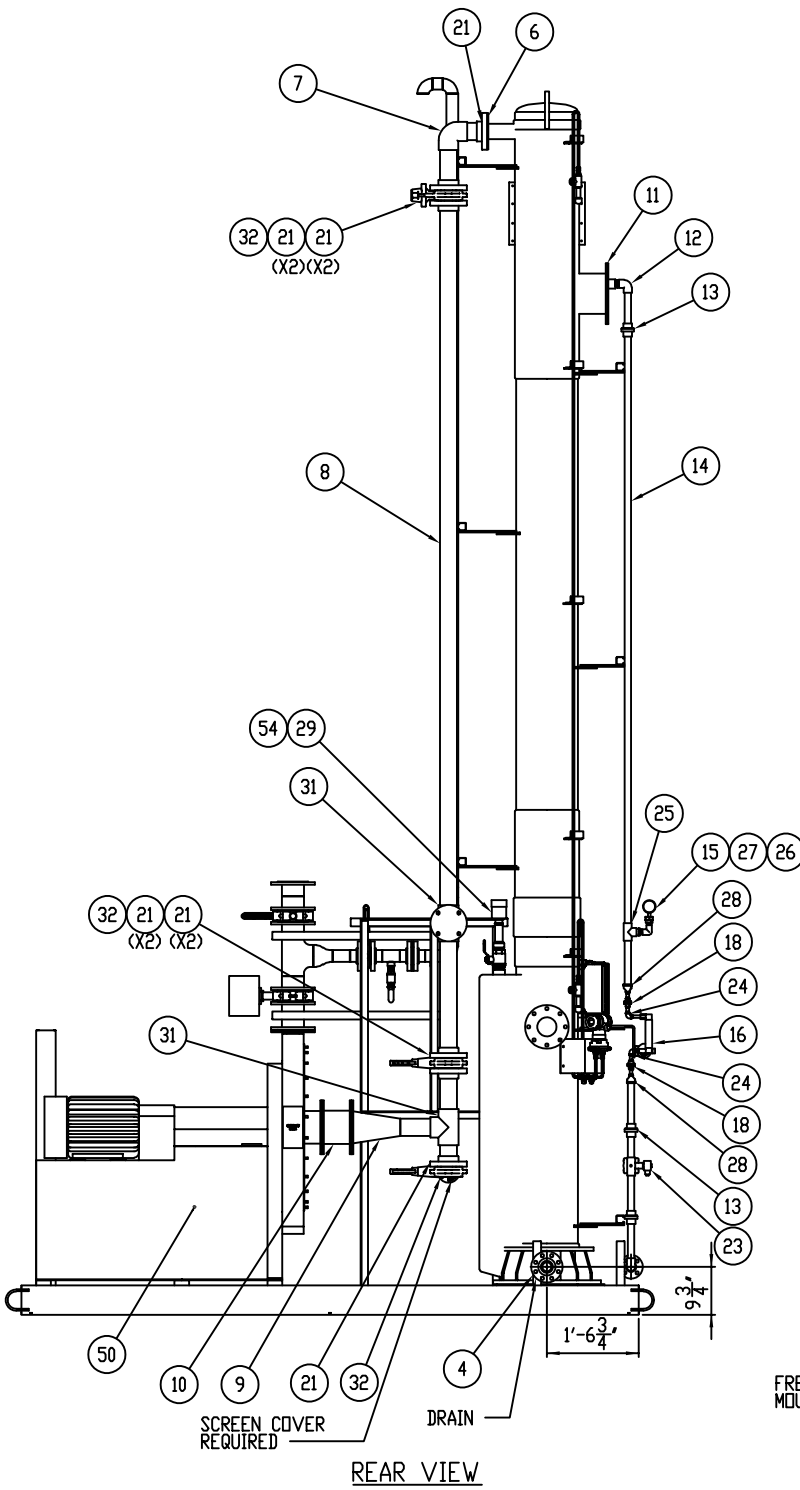
(2) SCRUBBERS REQUIRED

SCRUBBER #1 IDENTIFY AS V-629
 RAIL LOADING ACID VAPOR TREATMENT SKID
 FOLLOW P&ID DRAWING # - 272-19-PID001

SCRUBBER #1 IDENTIFY AS V-25
 TRUCK LOADING ACID VAPOR TREATMENT SKID
 FOLLOW P&ID DRAWING # - 272-19-PID002



ITEM	QTY.	SERVICE	DESCRIPTION
1	1	MIST ELIMINATOR	9 1/2" X 12" I.D. PORT , 12 3/4" X 15 1/2" O.D. FLAT FLANGE, FRP
2	1	PACKING FILL	Ø 8 1/2" I.D. PORT W/ 12 3/8" O.D. FLANGE, FRP
3	1	PACKING REMOVAL	Ø 8 1/2" I.D. PORT W/ 12 3/8" O.D. FLANGE, FRP
4	1	DRAIN	2" FLANGE Ø 300# RAISED FACE 316 STAINLESS STEEL
5	1	VAPOR FLOW INLET	4"Ø FLANGE, 150# FLAT FACE, FRP
6	1	VAPOR FLOW OUTLET	3"Ø FLANGE, 150# FLAT FACE, FRP
7	3	VAPOR FLOW	3"Ø I.D. SCHEDULE 40 90 DEG ELBOW CPVC
8	-	VAPOR FLOW	3"Ø I.D. SCHEDULE 40 STRAIGHT CPVC
9	1	VAPOR FLOW	REDUCER 3"Ø I.D. TO 6"Ø I.D. W/ FLANGE CONN, CPVC
10	1	VAPOR FLOW	6"Ø I.D. FLANGED FLEX CONN, 11" Ø FLG, 6' LG (PURCH.)
11	1	SPRAY HEADER	REMOVABLE SPRAY HEADER ASM, FLAT FACE (MATL.- FRP/CPVC)
12	2	WATER SUPPLY	1"Ø SCHEDULE 80 ELBOW 316 STAINLESS STEEL
13	3	WATER SUPPLY	1"Ø SCHEDULE 80 COUPLER 316 STAINLESS STEEL
14	-	WATER SUPPLY	1"Ø SCHEDULE 80 PIPE 316 STAINLESS STEEL
15	1	WATER SUPPLY	PRESSURE GAUGE 0-30, 316 STAINLESS STEEL
16	1	WATER SUPPLY	FLOW CONTRLL METER (BROOKS FC8800)
17	1	WATER SUPPLY	1"Ø 300# FLANGE, 316 STAINLESS STEEL, RAISED FACE
18	2	WATER SUPPLY	1/4"Ø SCHEDULE 80 COUPLER, 316 STAINLESS STEEL
19	1	DIFFERENTIAL PRESSURE	DIFF. PRESSURE TRANSMITTER (ROSEMOUNT 2051)
20	2	DIFFERENTIAL PRESSURE	1/2" NPT FITTING ASSEMBLY W/ 1/4" SS TUBE CONNECTION
21	6	VAPOR FLOW	3"Ø 150 # FLANGE SOCKET CONN. RAISED FACE CPVC
22	-	DIFFERENTIAL PRESSURE	3/8 TUBING 316 STAINLESS STEEL
23	1	WATER SUPPLY	1" SOLNOID VALVE 24 VDC, 316 STAINLESS STEEL
24	1	WATER SUPPLY	1/4"Ø ELBOW, 316 STAINLESS STEEL
25	1	WATER SUPPLY	1"Ø TEE SOCKET CONN, 316 STAINLESS STEEL
26	1	WATER SUPPLY	REDUCER ADAPTER 1"Ø TO 1/2"Ø , 316 STAINLESS STEEL
27	1	WATER SUPPLY	ELBOW 1/2"Ø SOCKET CONN, 316 STAINLESS STEEL
28	2	WATER SUPPLY	REDUCER 1"Ø TO 1/4"Ø , 316 STAINLESS STEEL
29	1	LEVEL TRANSMITTER	LIQUID LEVEL SENSOR (VEGAPULS 64 W/ SIDE MOUNTED DISPLAY)
30	1	VAPOR FLOW	4"Ø I.D. SCHEDULE 40 TEE SOCKET CONN. CPVC
31	2	VAPOR FLOW	3"Ø I.D. SCHEDULE 80 TEE SOCKET CONN. CPVC
32	3	VAPOR FLOW	3"Ø BUTTERFLY VALVE, MANUAL, CPVC
33	6	BLOWER OUTLET	4" SCH 10 STUB END , BUTT WELD, 316 STAINLESS STEEL
34	6	BLOWER OUTLET	4"Ø 150# BACK-UP FLANGE 316 STAINLESS STEEL
35	1	BLOWER OUTLET	4"Ø TO Ø 2" REDUCER FITTING, 316 STAINLESS STEEL
36	1	BLOWER OUTLET	4"Ø SCHEDULE 10, TEE, BUTT WELD 316 STAINLESS STEEL
37	-	BLOWER OUTLET	4"Ø SCHEDULE 10, STRAIGHT, BUTT WELD 316 STAINLESS STEEL
38	1	BLOWER OUTLET	4"Ø BUTTERFLY VALVE, MANUAL, 316 STAINLESS STEEL
39	1	BLOWER OUTLET	4"Ø BUTTERFLY VALVE, AIR OPERATED, 24 VOLT DC SOLINOID, 316 STAINLESS STEEL
40	1	BLOWER OUTLET	2"Ø FLANGE SEAL PLATE, 316 STAINLESS STEEL
41	4	BLOWER OUTLET	2" SCH 10 STUB END , BUTT WELD, 316 STAINLESS STEEL
42	4	BLOWER OUTLET	2"Ø 150# BACK-UP FLANGE 316 STAINLESS STEEL
43	2	BLOWER OUTLET	THREADDLET 3/4" NPT WELD-ON FOR 2Ø PIPE 316 STAINLESS STEEL
44	2	BLOWER OUTLET	PLUG 3/4" NPT 316 STAINLESS STEEL
45	-	BLOWER OUTLET	2"Ø SCHEDULE 10, STRAIGHT PIPE 316 STAINLESS STEEL
46	1	BLOWER OUTLET	2"Ø BUTTERFLY VALVE, MANUAL, 316 STAINLESS STEEL
47	1	CONTROLS	PUSH BUTTON 2-BUTTON , START/STOP
48	1	CONTROLS	NAME PLATE
49	1	CONTROLS	8 X 10 JUCTION BOX, STAINLESS STEEL
50	1	BLOWER	EXHAUST FAN UNIT 10 HP 230/460-3-60
51	2	GROUNDING	GROUNDING LUG ASM
52	1	BLOWER OUTLET	NIPPLE, 3/4" NPT, 316 STAINLESS STEEL
53	1	BLOWER OUTLET	BALL VALVE 3/4" NPT, 316 STAINLESS STEEL
54	1	LEVEL TRANSMITTER	BALL VALVE 1-1/2" NPT, DN/DF, FULL PORT, 316 STAINLESS STEEL



PROPRIETARY AND CONFIDENTIAL
 THIS DRAWING IS CONFIDENTIAL AND MUST NOT BE COPIED OR SUBMITTED TO OUTSIDE PARTIES FOR USE OR EXAMINATION. IT IS SUBJECT TO RETURN ON DEMAND.



DO NOT SCALE DRAWING	PN: 29718-01	REV 05
UNLESS OTHERWISE SPECIFIED		
DIMENSIONS ARE IN INCHES		
TOLERANCES		
FRACTIONAL: 1/16		
ANGULAR: MACH # .05 BEND # 3		
TWO PLACE DECIMAL: 1.03		
THREE PLACE DECIMAL: 1.005		
MATERIAL		
DATE: 11-25-2019		
CHECKED BY: JC		
DATE: 11-25-2019		
DESCRIPTION		
NAME		
DATE		