

L-BOX® Wall-Mount Cabinet and Accessories

L-BOX®, Type 1



Industry Standards

UL 1863 Listed; File No. E230874
 UL 508A Listed; Type 1; File Number E61997
 cUL Listed per CSA C22.2 No. 182.4; File No. E230874
 Ventilation complies with UL 60950

Designed in accordance with BICSI TDMM Tenth edition,
 Chapter 7, Telecommunication Enclosures (TE)
 EIA 310-D
 IEC 60529, IP30

Application

The low-profile, vertically-oriented L-BOX® wall-mount cabinet is extremely versatile and can be used in public settings to mount, store and protect network equipment, patch panels and connections. The hinged, L-shaped door provides full access on two sides to installed equipment while fixed rack angles accommodate varying equipment sizes.

Features

- Spring-loaded, self-retained hinge pins allow door removal
- 120-degree door opening
- Quarter-turn latches with key lock
- One set of fixed rack angles is included on 24- and 36-in. (610- and 914-mm) tall models and two on 48-in. (1219-mm) tall models
- Rack angles on 36-in. (914-mm) models can be positioned either at the top or the bottom of the cabinet

- 36- and 48-in. (914- and 1219-mm) tall models have space for patch panel or shelf brackets
- Knockouts for 4-in. (102-mm) fan on top and bottom of cabinet
- Wiring knockouts (7/8 in., 1-3/8 in., and 3 in.) on top and bottom of cabinet. Two 3-in. cable entry knockouts on back.
- Multiple cable tie-down points on back of cabinet
- Keyhole mounting slots spaced 16.00 in. (406 mm) on center for easy cabinet mounting
- Includes package of twenty 10-32 mounting screws

Specifications

- Manufactured from 14 gauge mild steel
- Self-grounding mounting angles made of 12 gauge plated steel
- Bonding provision on door
- Ground stud on body
- EIA Universal 5/8 - 5/8 - 1/2 in. rack angle mounting hole pattern matches industry standards. Holes are tapped 10-32.

Finish

Pretreated steel coated with RAL 7035 light-gray textured, low-gloss polyester powder paint. Other finishes available—contact Hoffman Customer Service.

Load Rating

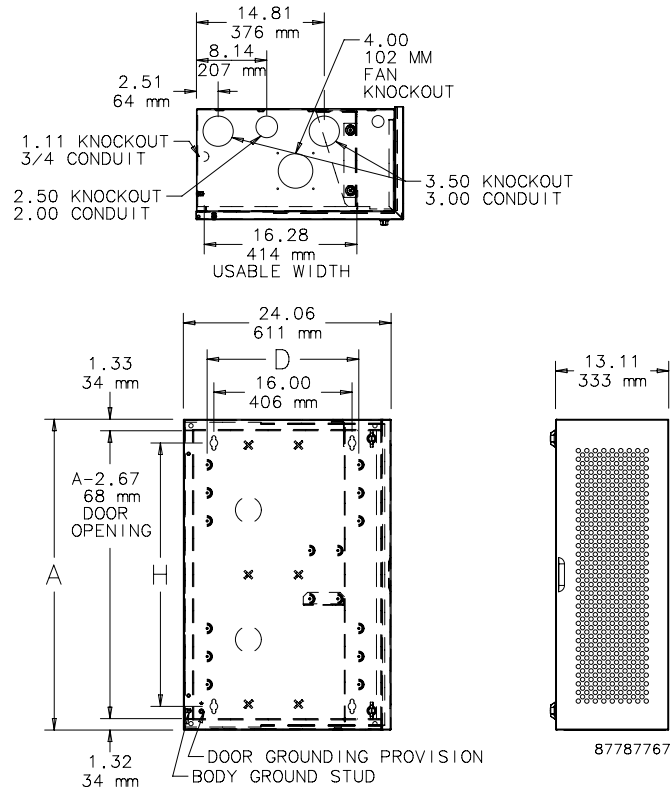
75 lb. (34.0 kg)

Bulletin: DWS1

Standard Product

Catalog Number	AxBxC in.	AxBxC mm	H (in.)	H (mm)	Rack Units
DBL242412G	24.00 x 24.00 x 12.34	610 x 610 x 313	22.00	559	6
DBL362412G	36.00 x 24.00 x 12.34	915 x 610 x 313	34.00	864	6
DBL482412G	48.00 x 24.00 x 12.34	1220 x 610 x 313	46.00	1168	2 sets of 6

L-BOX® Wall-Mount Cabinet and Accessories



L-BOX RACK ANGLE LOCATIONS

DBL242412G

DBL362412G

DBL482412G

